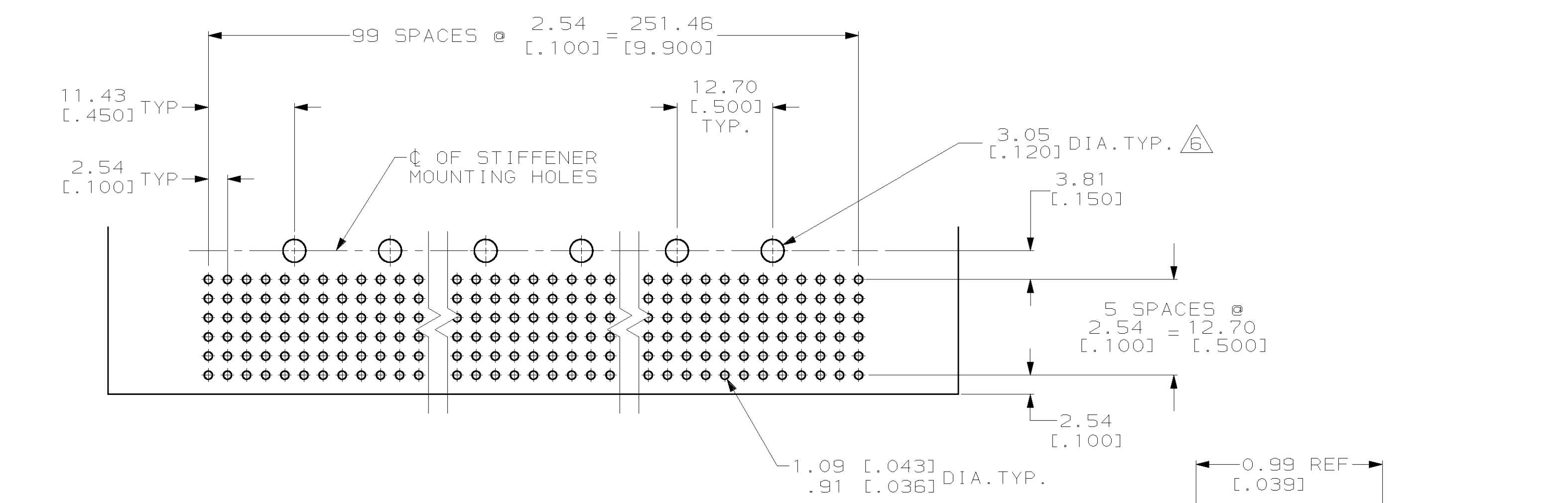
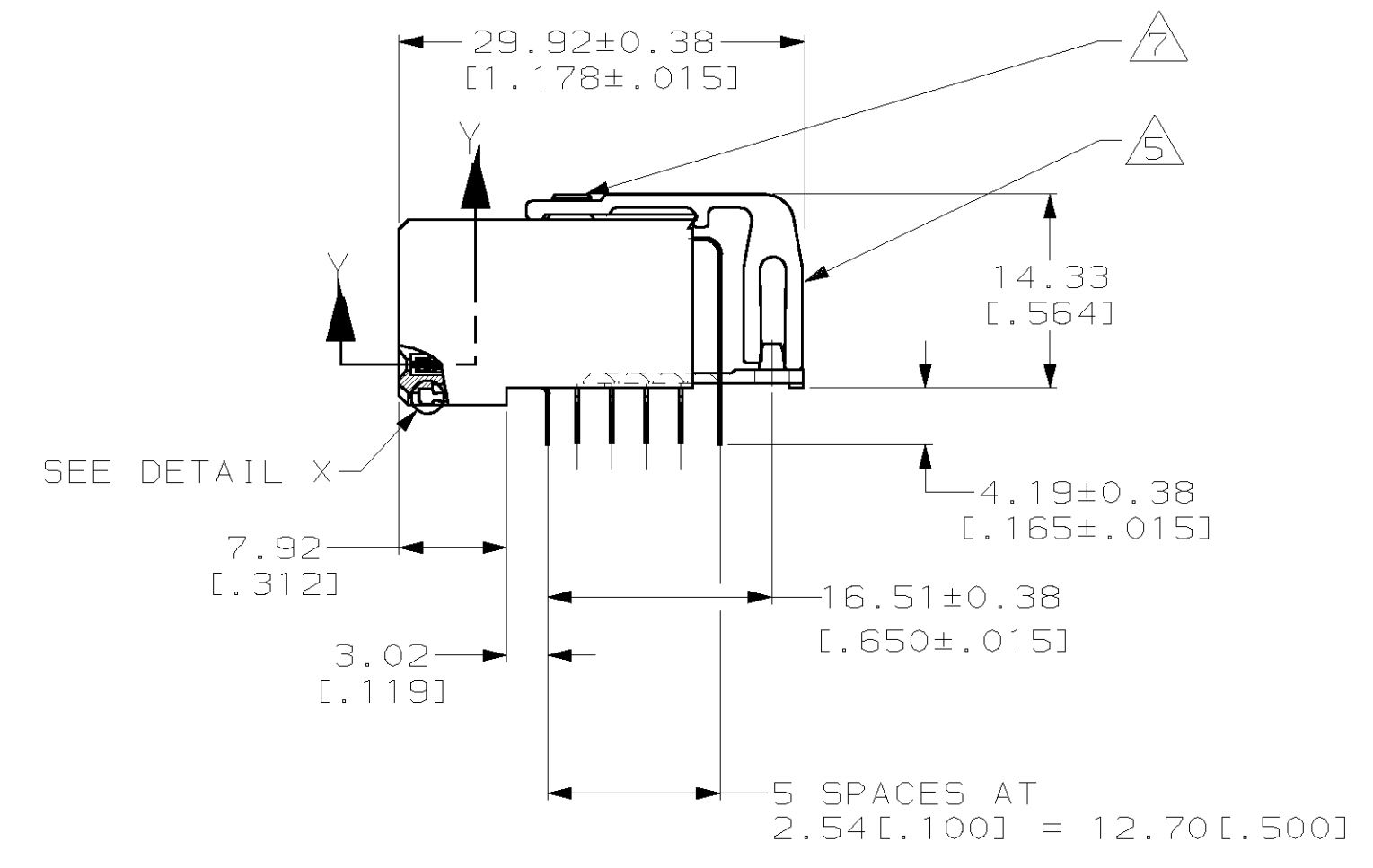
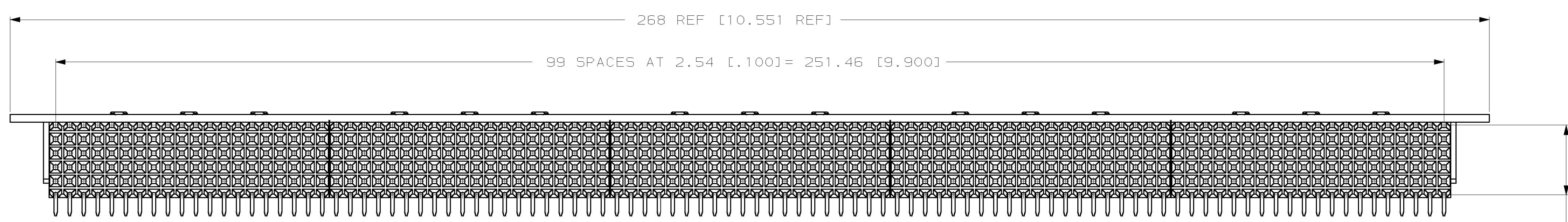
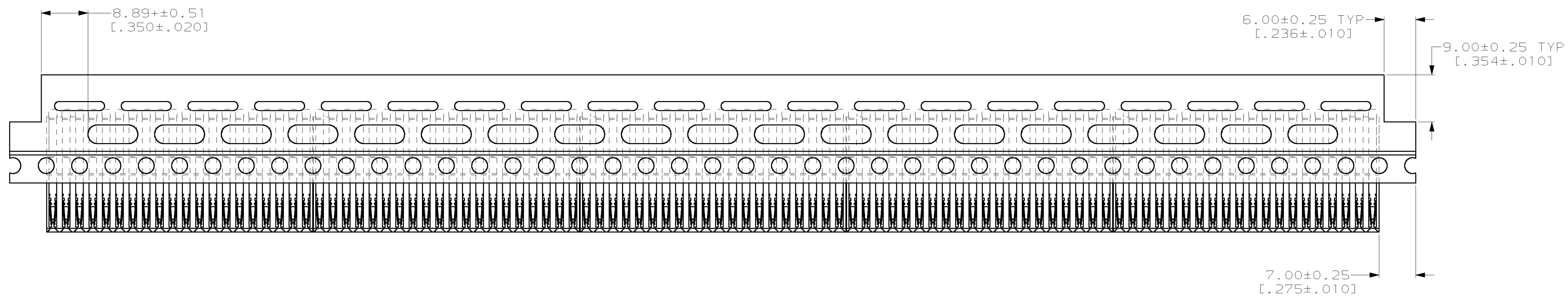


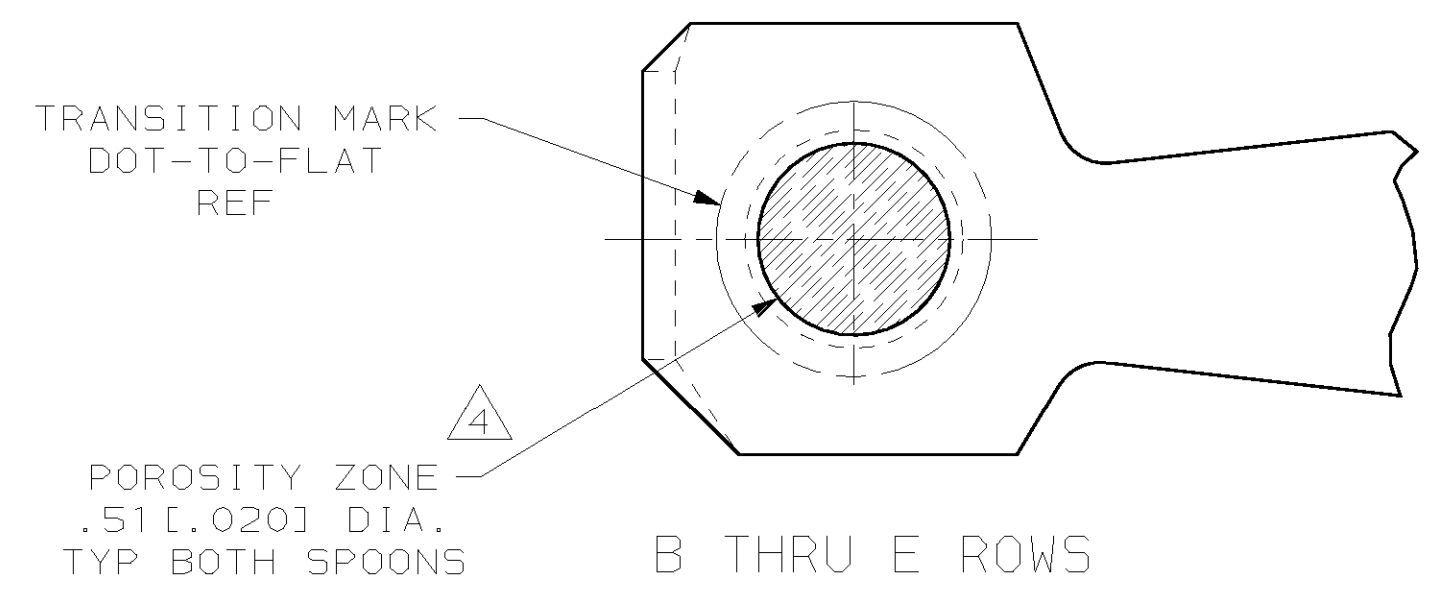
LOC	DIST	REV	CHG	DESCRIPTION	DATE	IGN	APVD
AD	25	0		RELEASED PER PPR 91-5989-006-1	1-28-92	JPM	WLM
		A		REV. PER ECN AD6604	7-16-92	-	TH
		B		REV. PER ECN 0292-92	7-16-92	-	RL
		C		REV. PER ECN 0304-92	7-16-92	-	RL
		D		ECN 0010-0718-93	7-16-92	WG	WG
		E		REV. PER ECN 0010-0888-93	7-16-92	-	NFS
		F		REVISED PER ECN 010-0152-94	7-16-92	TS	DH
		G		ECN 1811-94	6-9-95	SH	WLM
		H		PER EC 1240-95	7-16-92	TS	WM
		J		PER EC 1667-95	3-18-96	TS	DH
		K		PER EC 0410-0083-96	10-2-96	TS	WM
		L		REV PER EC 001B-0015-01	25 JAN 01	BC	WM



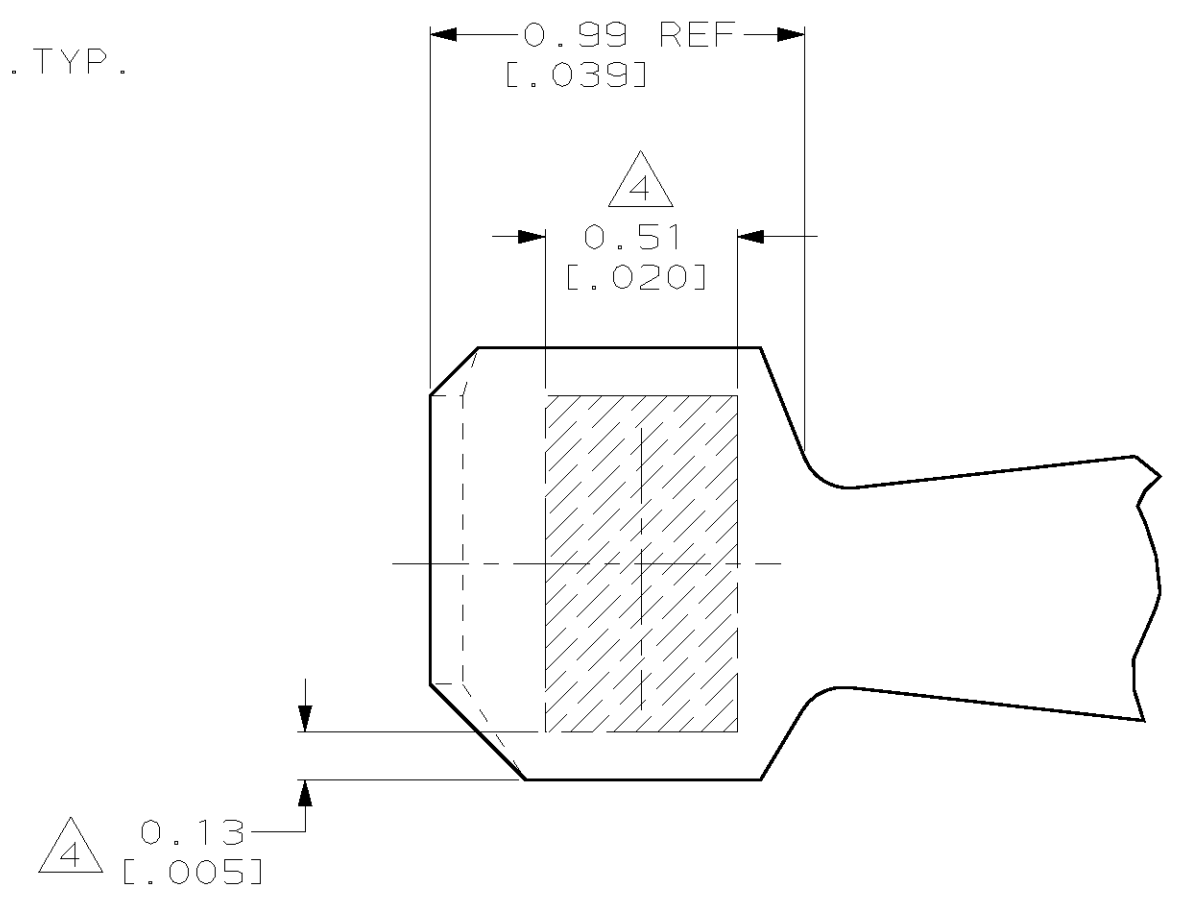
5 SPACES AT 2.54 [.100] = 12.70 [.500]

RECOMMENDED PC BOARD LAYOUT

- ① HOUSING MATERIAL: GLASS FILLED POLYESTER. COLOR-BLACK.
- ② CONTACT MATERIAL: COPPER ALLOY.
- ③ CONTACT FINISH: .0013-.0025 [.000050-.000100] NICKEL UNDERPLATE ALL OVER WITH .000050 DURAGOLD IN CONTACT AREA AND TIN-LEAD PLATED POSTS.
- ④ RECEPTACLE POROSITY AREA IS A .51 [.020] DIA. ZONE AS SHOWN ON THE CROWN SURFACE ON EACH OF THE TWO BEAMS, ON CENTER FOUR ROWS (B-E) AND ON .020 ZONE ON CROWN SURFACE OF EACH OF THE 2 BEAMS, ROWS A & F.
- ⑤ AMP, AMP PART NUMBER, DATE CODE, AND IBM PART NUMBER (10F8002) MARKED IN THIS APPROXIMATE AREA.
- ⑥ RECOMMENDED MOUNTING SCREW IS A BINDING HEAD #2 THREAD FORMING TYPE AB THREADS; STAINLESS STEEL. MAXIMUM SPACING OF 38.10 [1.500] INCHES.
- ⑦ NO HEAT STAKE REQUIRED.



SECTION Y-Y
SCALE 50:1



DETAIL X
SCALE 50:1

600	536122-1
NO. OF POSITION	PART NO

<small>THIS DRAWING IS A CONTROLLED DOCUMENT AND IS UNPUBLISHED. IT IS SUBJECT TO CHANGE AND THE CONTROLLING ENGINEERING ORGANIZATION SHALL BE CONTACTED FOR THE LATEST REVISION.</small>		DWN J. MOSER 1-28-92 CHK W. MILLIHIMES 1-28-92 APVD W. MILLIHIMES 1-28-92	AMP AMP Incorporated Harrisburg, PA 17105-3608
DIMENSIONS: mm (INCHES)	TOLERANCES UNLESS OTHERWISE SPECIFIED: 0 PLC ± 1 PLC ± 2 PLC ±0.3 [.01] 3 PLC ±0.13 [.005] 4 PLC ± DIMENSIONS ±	PRODUCT SPEC APPLICATION SPEC WEIGHT CUSTOMER DRAWING	NAME TBC PLUS / DOT RECEPTACLE ASSEMBLY 600 POSITION, MODULE SIZE A1 CAGE CODE 00779 DRAWING NO. C-536122 SCALE 2:1 SHEET 1 OF 1 REV L